

Fulcrum

Revolutionary Manual CMM

Key Features

- Small footprint allowing measurements right next to your machine.
32.6" L x 13.2" W x 28.5" H.
- Intuitive software, designed around Fulcrum, allows quick and easy measurement.
- Ready to begin measuring parts right out of the box - minimal setup.
- Programmable magnetic soft buttons allow you to quickly change between software features without using a mouse.
- Magnetic fixture templates allow you to quickly fix your part, making sure all points are taken accurately.
- Volumetric accuracy of 0.0002"/0.005mm
- The Fulcrum only uses a single USB cable to connect and requires no air or external power.



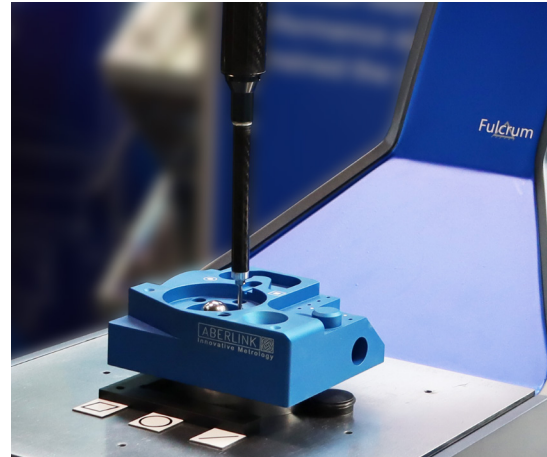
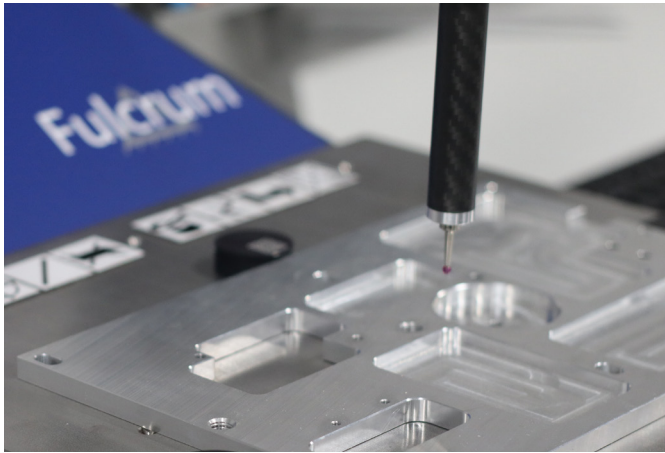
Fulcrum powered by FUSION making measurement easy

At Fowler, measurement is made easy. Aberlink's engineers have developed FUSION software that sets the standard for simple-to-use software.

With every measured component, the software builds a representation on the screen, allowing you to easily click on features and access dimensions just as they appear in the drawing. We have even taken it a step further by tailoring the software around Fulcrum to give you an intuitive measurement experience.

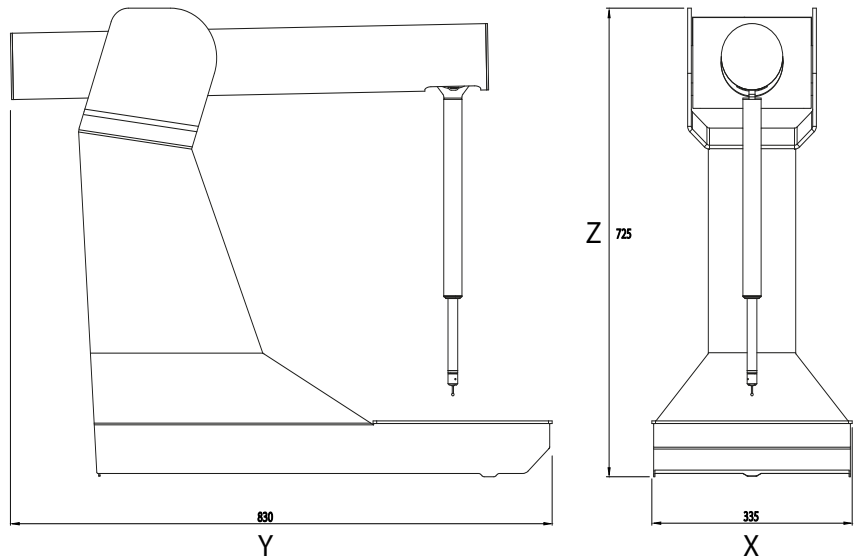


Various Probe Styli and Extensions Available



Technical Specifications

| | |
|--------------------------------|----------------------------------|
| Order Number: | 54-960-400-0 |
| Measuring Volume: | X 280mm* Y 280mm* Z 150mm* |
| Overall Size: | X 335mm Y 830mm Z 725mm |
| Motion: | Manual |
| Suitable For: | Shop Floor/Inspection Room |
| Volumetric Accuracy: | 5.0 μ m |
| Scale Resolution: | 1.15 μ rad |
| **Optimum Temp Range: | 18 - 22°C |
| Operational Temp Range: | 5 - 45°C |
| Air Required: | No |



*Minimum measuring range specified because the usable volume isn't cubic

**The machine should not be positioned where it will be subjected to rapid changes in temperature. Max rate of ambient temperature change should not be more than 1°C/hour.

HEADQUARTERS
780 Dedham St. • Canton • Massachusetts 02021
(800) 788-2353 • (617) 332-4137 fax
www.fowlerprecision.com • sales@fowlerprecision.com

DISTRIBUTION CENTER & SHOWROOM
28010 Industry Drive
Valencia, California 91355
(415) 633-5354

